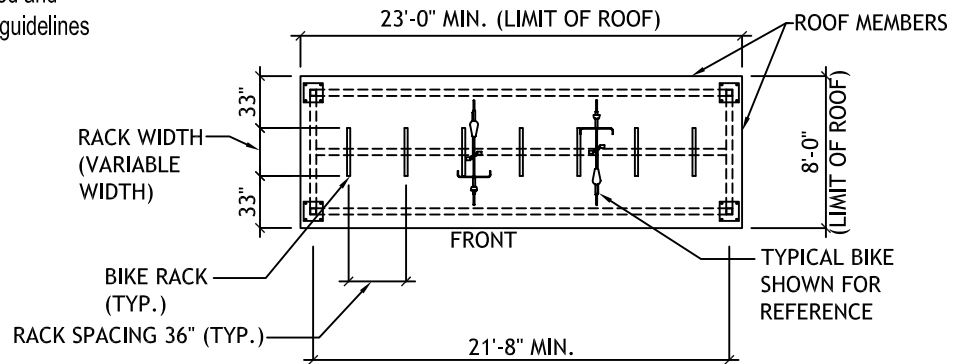


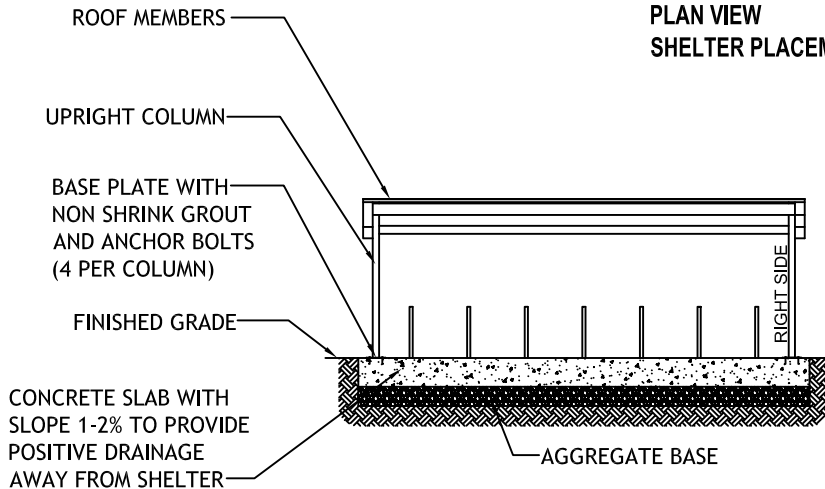
BICYCLE PARKING SHELTER PLACEMENT

SHELTER SETBACKS:

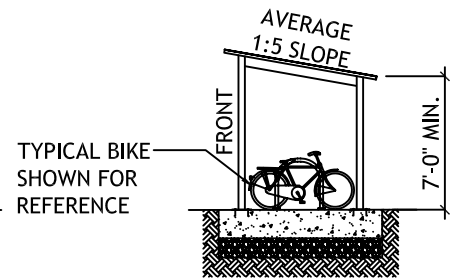
- Existing walls/ streets: 3' Minimum from limit of roof
- Shelter shall comply with all local requirements and guidelines
- All existing utilities shall be located and verified by state and local requirements
- Shelter shall be assembled and installed to manufactures guidelines



PLAN VIEW
SHELTER PLACEMENT- SCALE 1"=10'-0"



FRONT ELEVATION-SCALE 1"=10'-0"



RIGHT SIDE ELEVATION-SCALE 1"=10'-0"



Alexandria Department of Transportation
and Environmental Services
Bicycle and Pedestrian Program

REVISED:
February 2013
SCALE:
AS NOTED

E